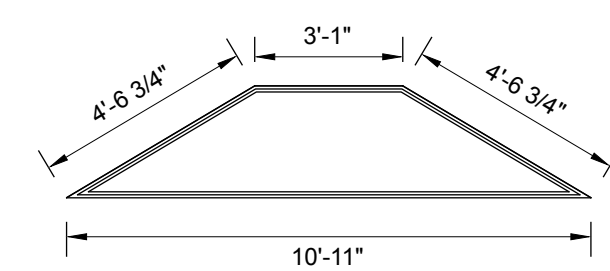
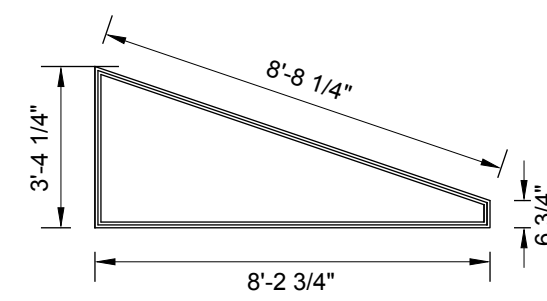


**Legend**

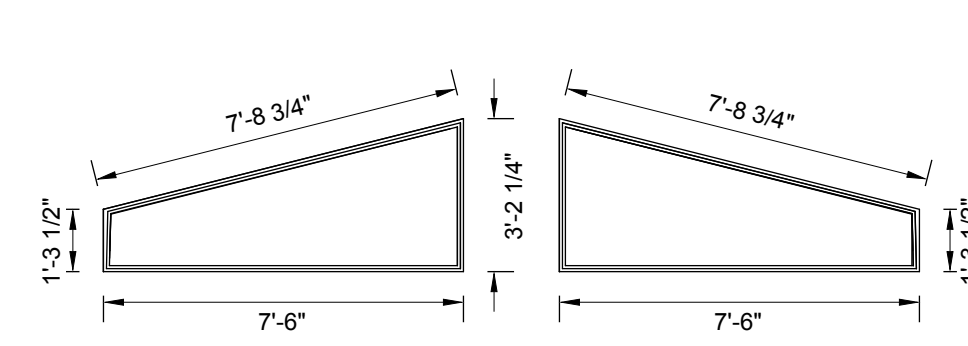
WD-X (Y) X: Window or Door labels. On plans, these are attached to window/door width. Note that width indicates the rough opening.  
Y: Number of units



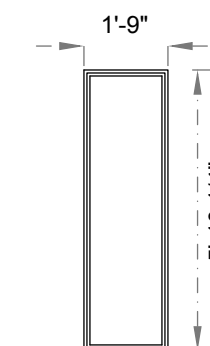
**WD-1**  
Entry



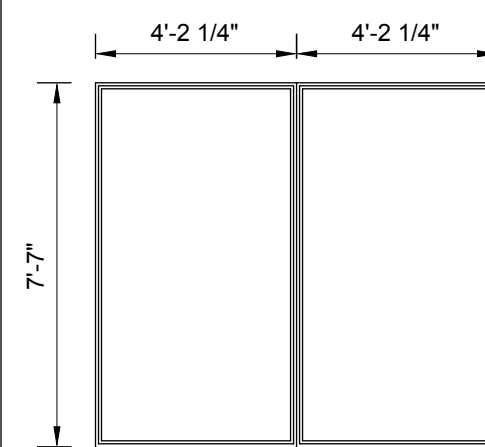
**WD-3**  
Gable South



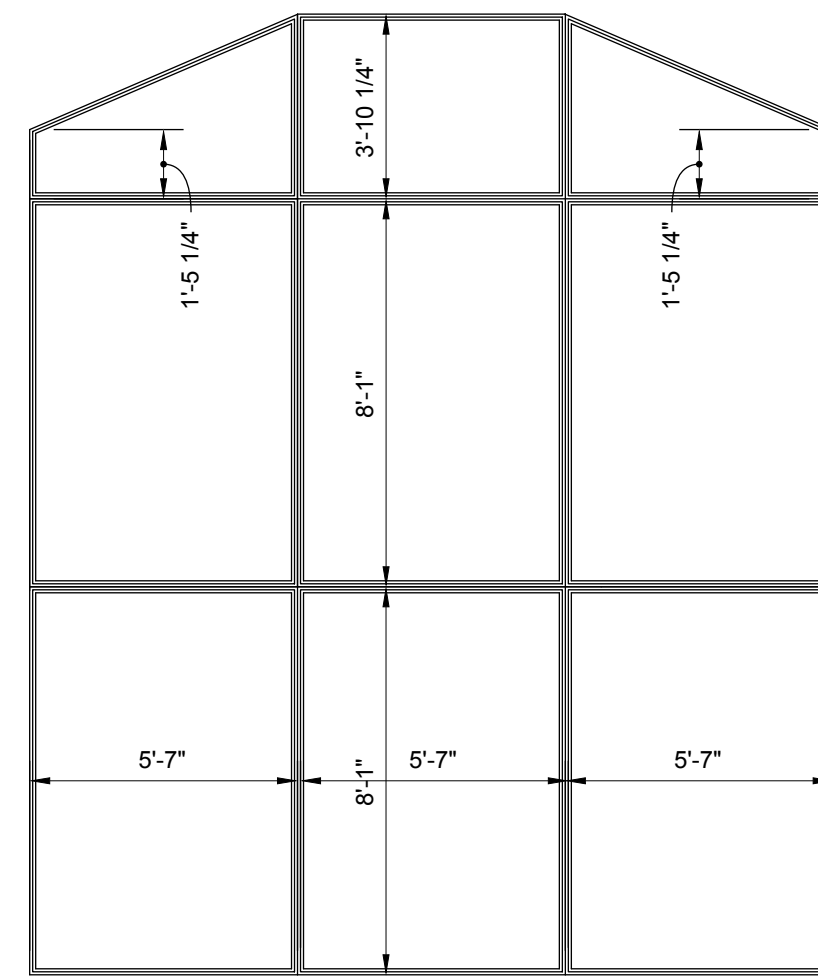
**WD-6** Garage **WD-7** Garage



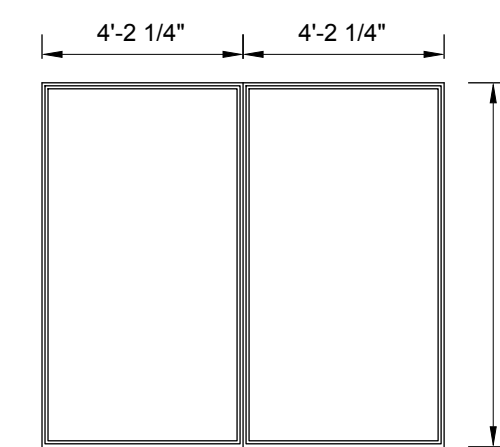
**WD-8 (12)**  
Skylights above Atrium



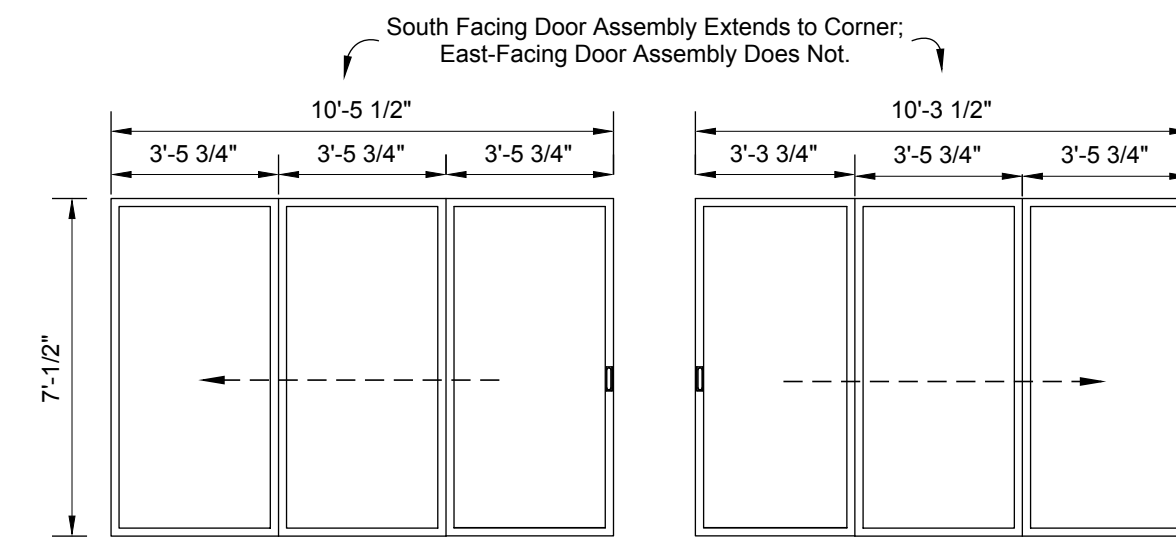
**WD-10**  
Atrium



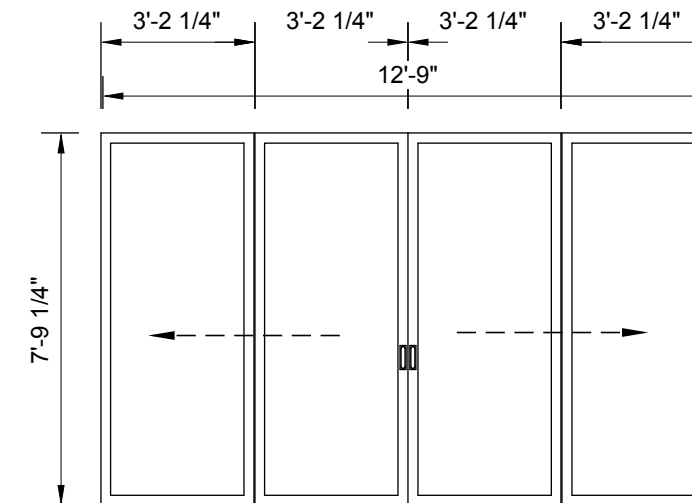
**WD-11**  
Atrium



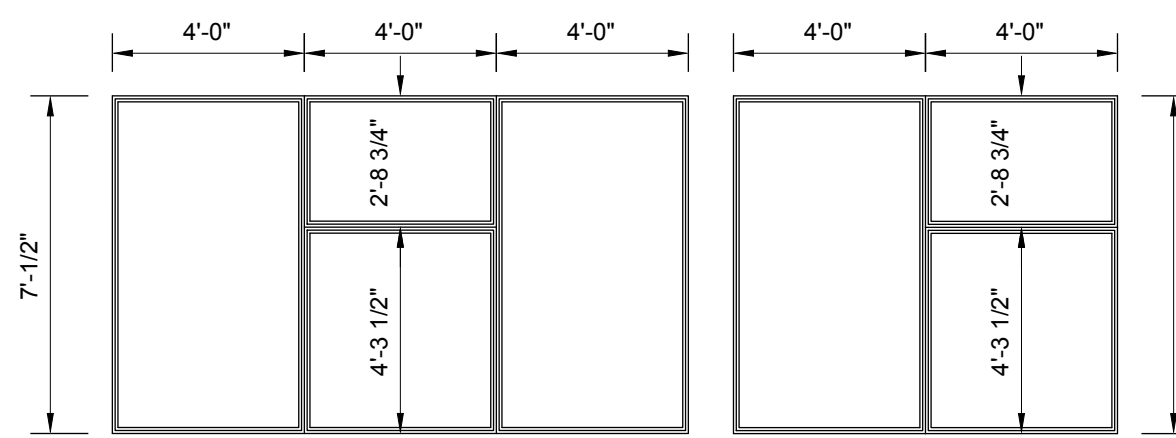
**WD-12**  
Atrium



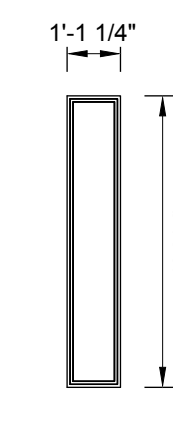
**WD-13** South-Facing Dining Sliding/Bifolding **WD-14** East-Facing



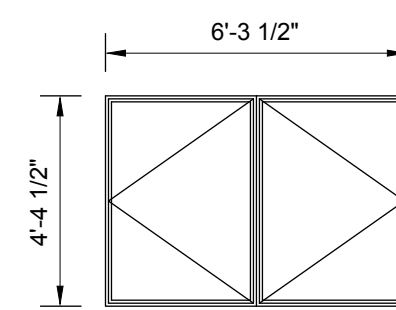
**WD-15**  
Master Bedroom Sliding



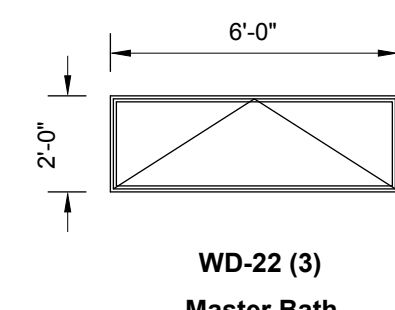
**WD-17** Living Room **WD-18** Living Room



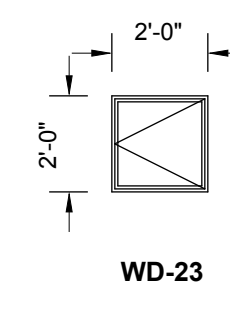
**WD-19 (10)**  
Hallway (3), Powder Room, Atrium (6)



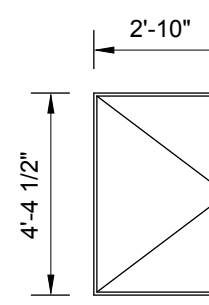
**WD-20**  
Kitchen



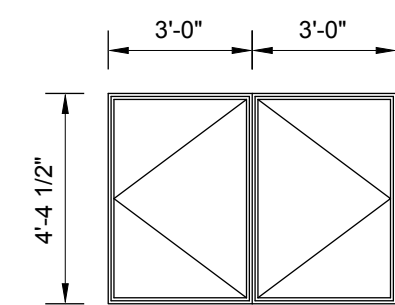
**WD-22 (3)**  
Master Bath (requires tempered glass), Garage, 4th Bedroom



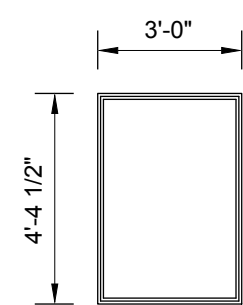
**WD-23**  
Master Shower (requires tempered glass)



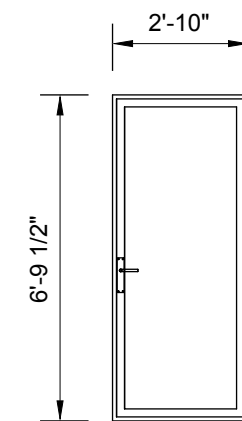
**WD-24 (2)**  
2nd Bedroom, 3rd Bedroom



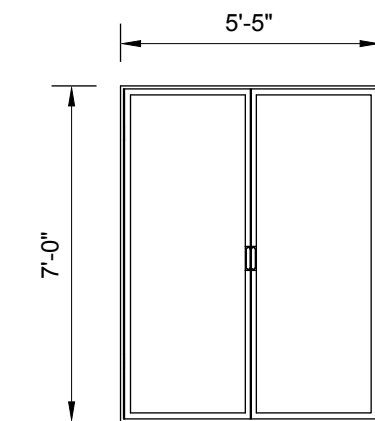
**WD-25 (3)**  
1st Bedroom, Study, 4th Bedroom



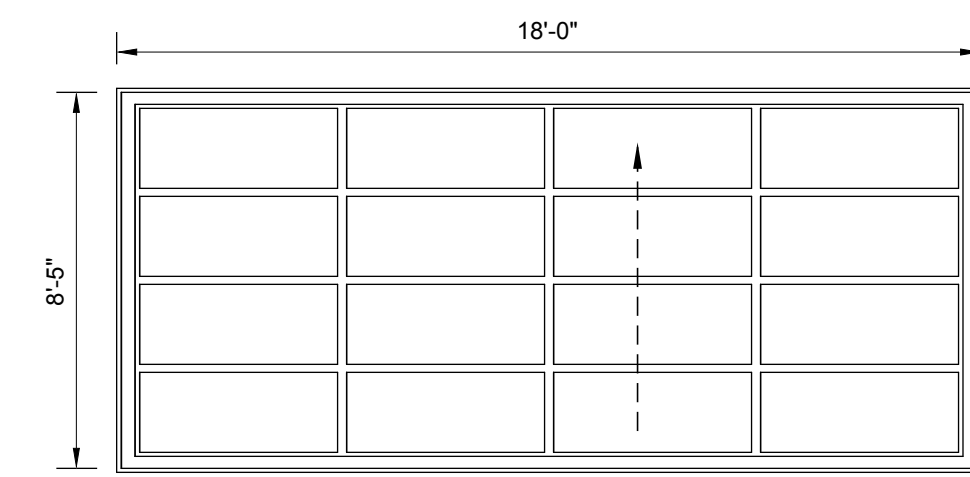
**WD-42**  
4th Bedroom



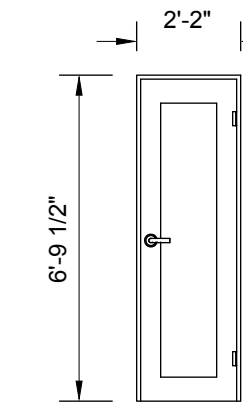
**WD-28 (4)**  
Exterior Door 2'-8" Garage (2), Deck, Family Room



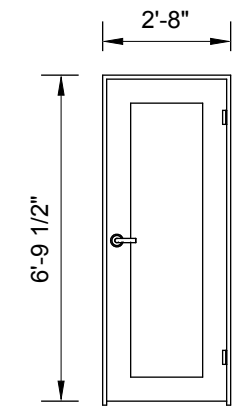
**WD-29**  
Exterior Door 5'-4" Entry



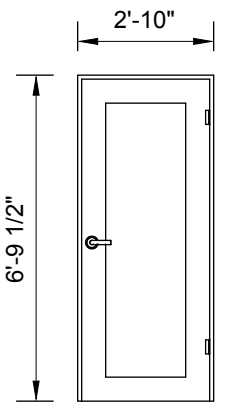
**WD-27**  
Garage Door



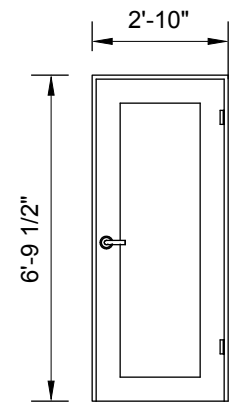
**WD-31**  
Interior Door 2'-0" Master Toilet



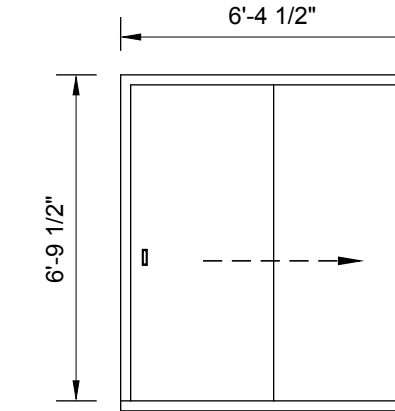
**WD-32 (9)**  
Interior Door 2'-6" Master Bedroom, Master Closet (2), Bedrooms 1-4, Den, Lower Bathroom



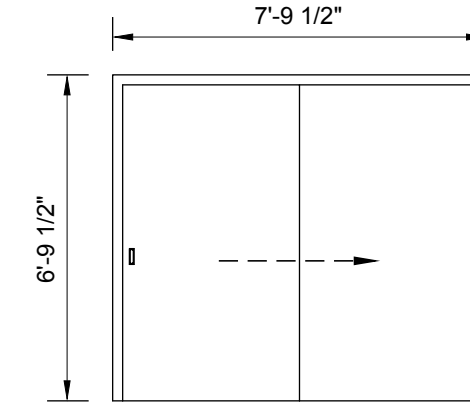
**WD-33**  
Interior Door 2'-8" Hallway



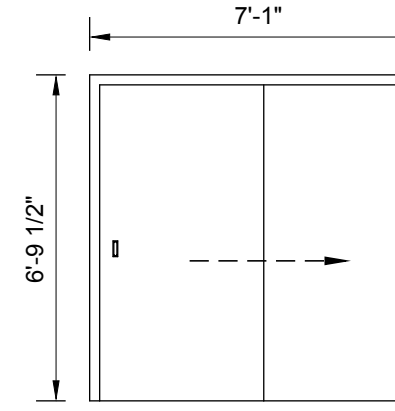
**WD-30**  
Exterior Door 2'-8" Hallway to Garage



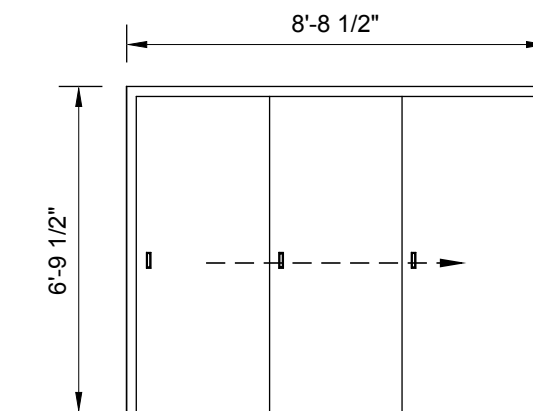
**WD-35**  
Closet Door 1st Bedroom



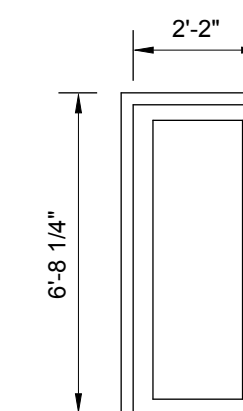
**WD-36**  
Closet Door 2nd Bedroom



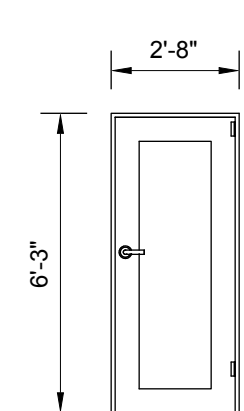
**WD-37**  
Closet Door 3rd Bedroom



**WD-38**  
Closet Door 4th Bedroom



**WD-40 (2)**  
Pocket Door 2'-0" Pantry, Powder Room



**WD-41**  
Interior Door 2'-6" Utility Room

Design By:  
**Riedel-Fall Designs**  
200 Union St. S.E.  
Minneapolis, MN 55455  
Tel: 612-275-9878

Design for:  
**Dr. Marc Riedel & Ms. Emery Fall**  
5995 Ridge Rd.  
Shorewood, MN 55331  
Tel: 612-275-9878

Date	Revision	By
01/17/17	Final Drawings	MDR, EKF
11/29/17	Atrium, Entry	MDR, EKF
5/7/18	Skylights, Foundations	MDR, EKF
7/3/18	Brick Entry	MDR, EKF

**DATE SUBMITTED**  
07.03.18

**DRAWN BY**  
MDR, EKF