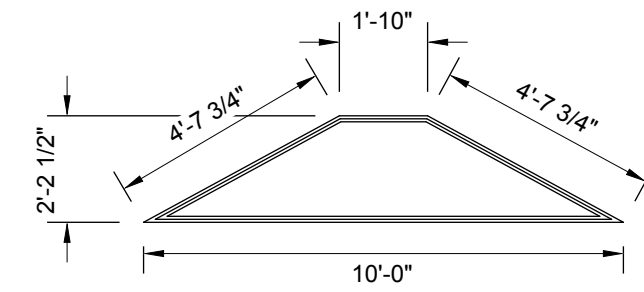
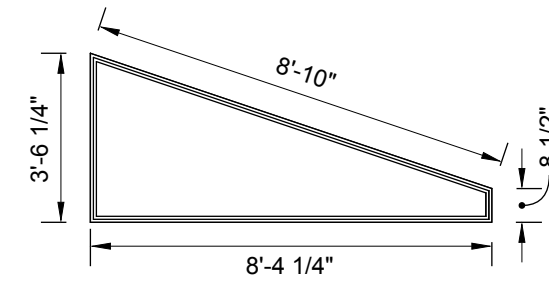


**Legend**

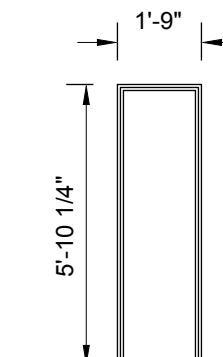
WD-X (Y) X: Window or Door labels. On plans, these are attached to window/door width. Note that width indicates the rough opening.  
Y: Number of units



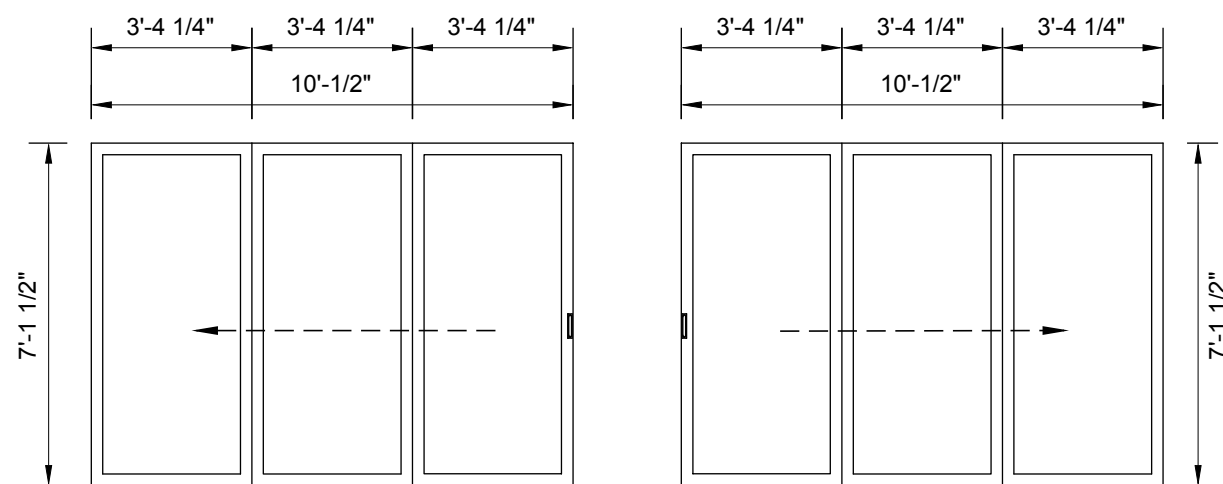
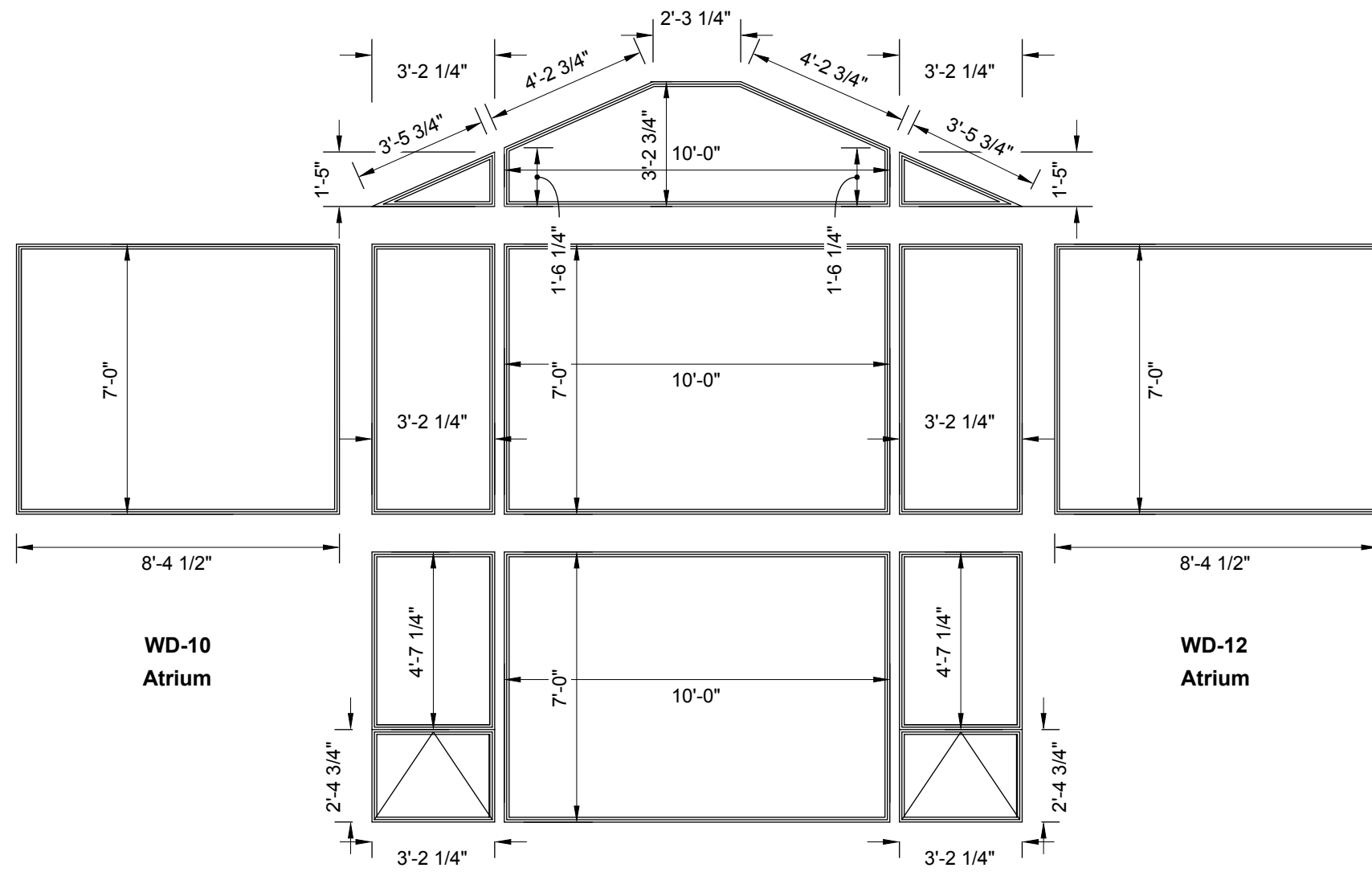
**WD-1**  
Entry



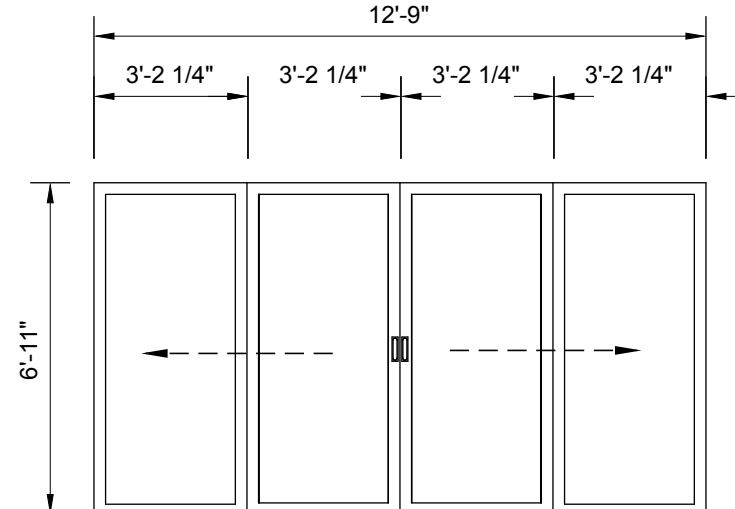
**WD-3**  
Gable South



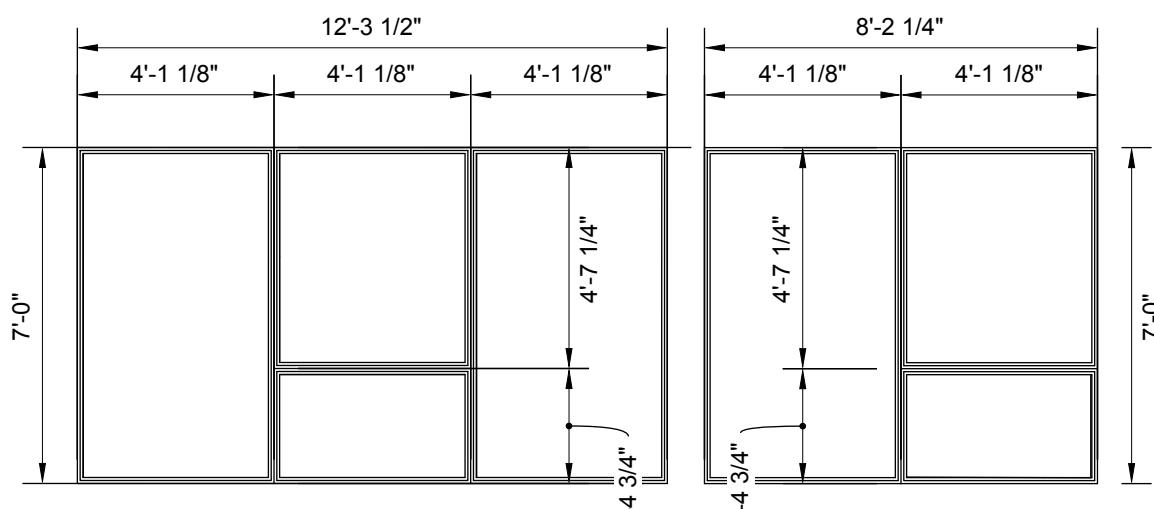
**WD-8 (12)**  
Skylights above Atrium



**WD-13** South-Facing Dining Sliding/Bifolding  
**WD-14** East-Facing Dining Sliding/Bifolding

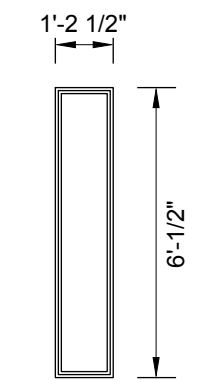


**WD-15**  
Master Bedroom Sliding

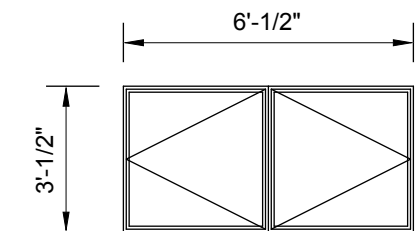


**WD-17** Living Room

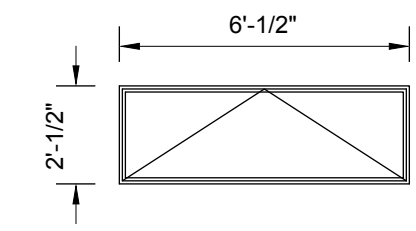
**WD-18** Living Room



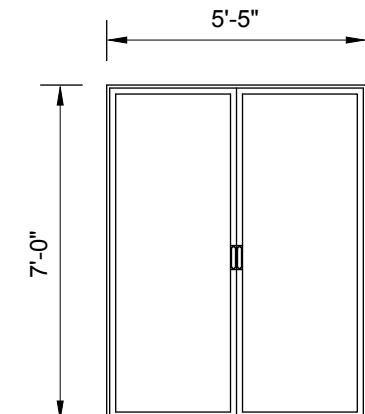
**WD-19 (12)**  
Hallway (3), Powder Room, Atrium (6), 4th Bedroom (2)



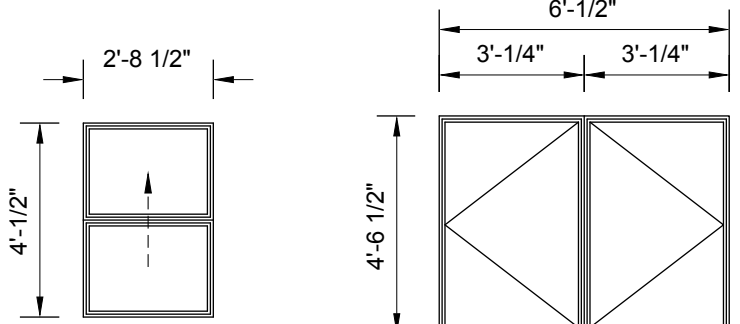
**WD-20**  
Kitchen



**WD-22 (3)**  
Master Bath (requires tempered glass), Garage, 4th Bedroom

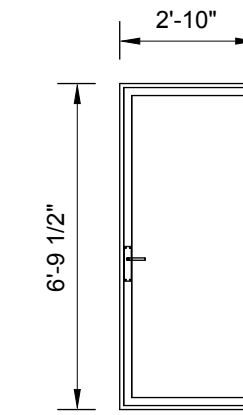


**WD-29**  
Exterior Door 5'-4" Entry

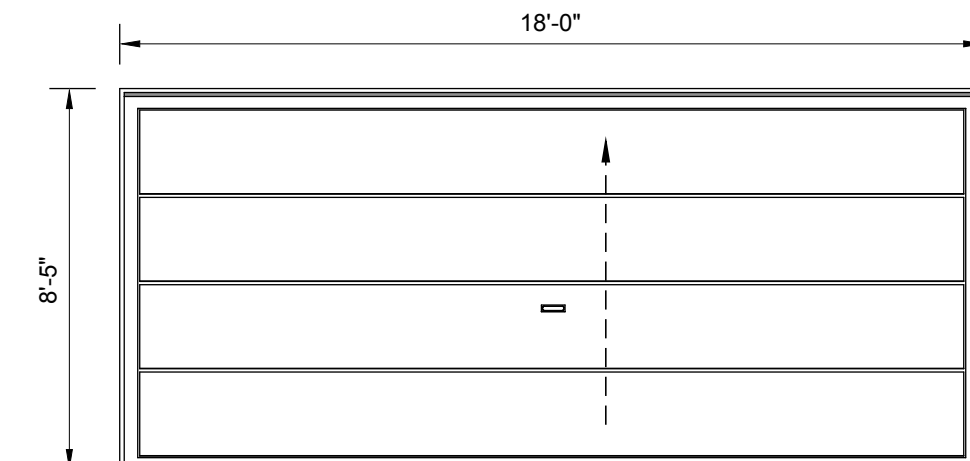


**WD-24 (2)**  
2nd Bedroom, 3rd Bedroom

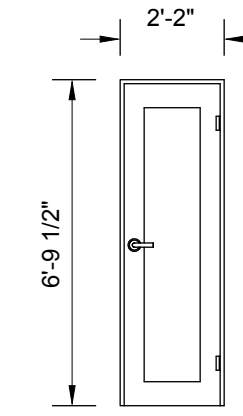
**WD-25 (3)**  
1st Bedroom, Study, 4th Bedroom



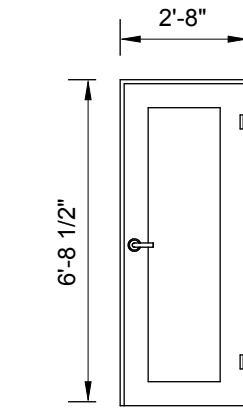
**WD-28 (3)**  
Exterior Door 2'-8" Garage, Deck, Family Room



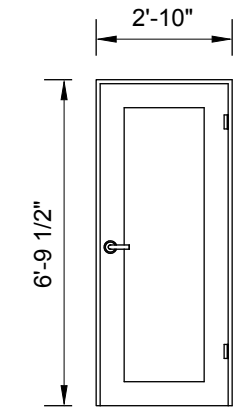
**WD-27**  
Garage Door (use existing)



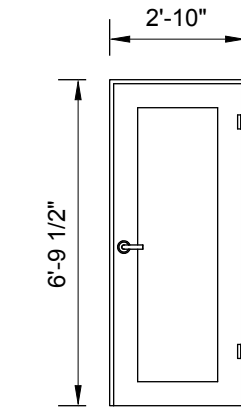
**WD-31**  
Interior Door 2'-0" Master Toilet



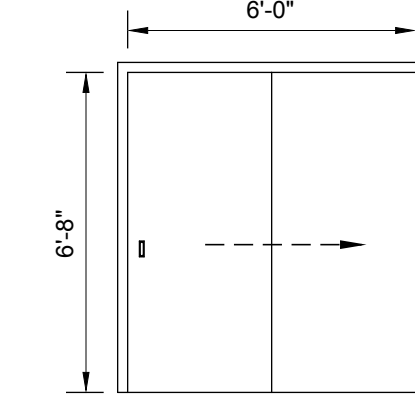
**WD-32 (9)**  
Interior Door 2'-6" Master Bedroom, Master Closet (2), Bedrooms 1-4, Den, Lower Bathroom



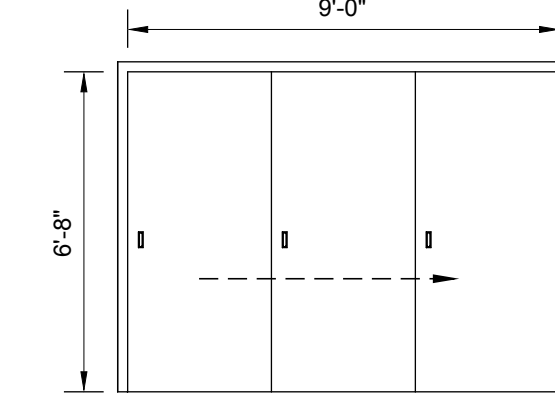
**WD-33**  
Interior Door 2'-8" Hallway



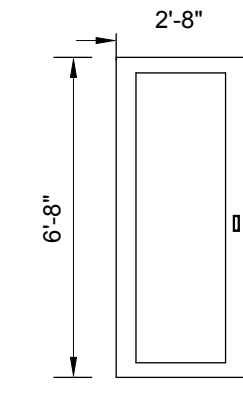
**WD-30**  
Exterior Door 2'-8" Hallway to Garage



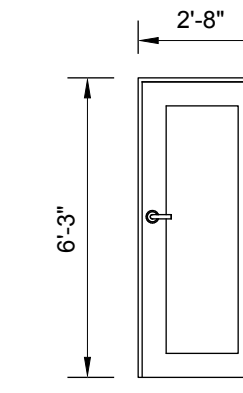
**WD-35 (4)**  
Closet Door 1st, 2nd, 3rd Bedrooms, Den



**WD-38**  
Closet Door 4th Bedroom



**WD-40 (2)**  
Pocket Door 3'-0" Pantry, Powder Room



**WD-41**  
Interior Door 2'-6" Utility Room

Window and Glass Door Schedule

\*drawing scale 1/4" = 1'-0"

A601

2

Wood Door Schedule

\*drawing scale 1/4" = 1'-0"

A601

1



**Design By:**  
**Riedel-Fall Designs**  
Garage, Deck,  
Family Room  
200 Union St. S.E.  
Minneapolis, MN 55455  
Tel: 612-275-9878

**Design for:**  
**Dr. Marc Riedel & Ms. Emery Fall**  
5995 Ridge Rd.  
Shorewood, MN 55331  
Tel: 612-275-9878

Date	Revision	By
01/17/17	Initial Drawings	MDR, EKF
11/29/17	Atrium, Entry	MDR, EKF
5/7/18	Skylights, Foundations	MDR, EKF
7/3/18	Brick, Entry	MDR, EKF
1/14/19	Energy Windows	MDR, EKF
	Permit	

**DATE SUBMITTED**  
01.14.19

**DRAWN BY**  
MDR, EKF

A601 Window and Door Schedule

**A601**