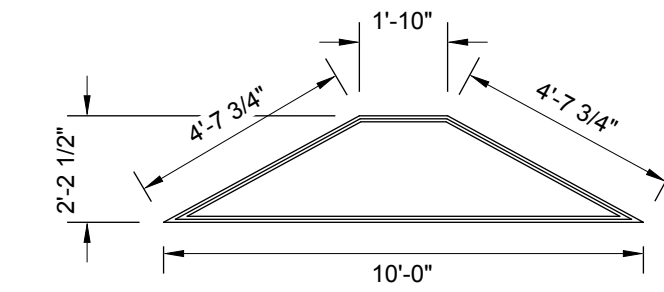
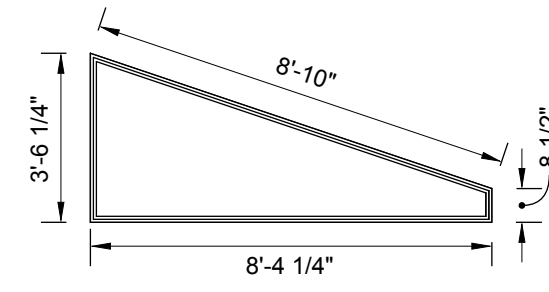


Legend

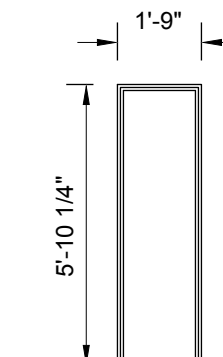
WD-X (Y) X: Window or Door labels. On plans, these are attached to window/door width. Note that width indicates the rough opening.
Y: Number of units



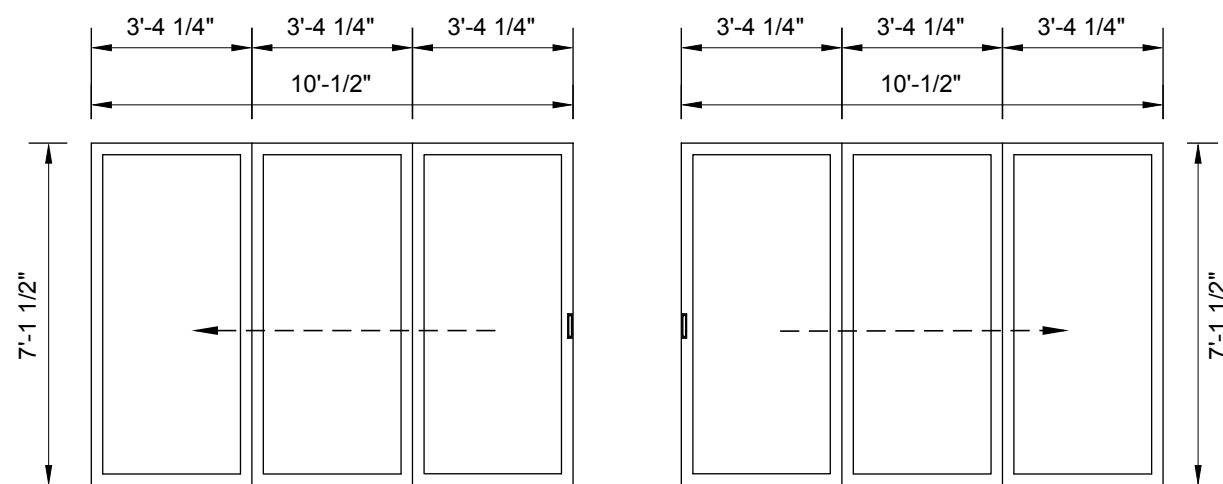
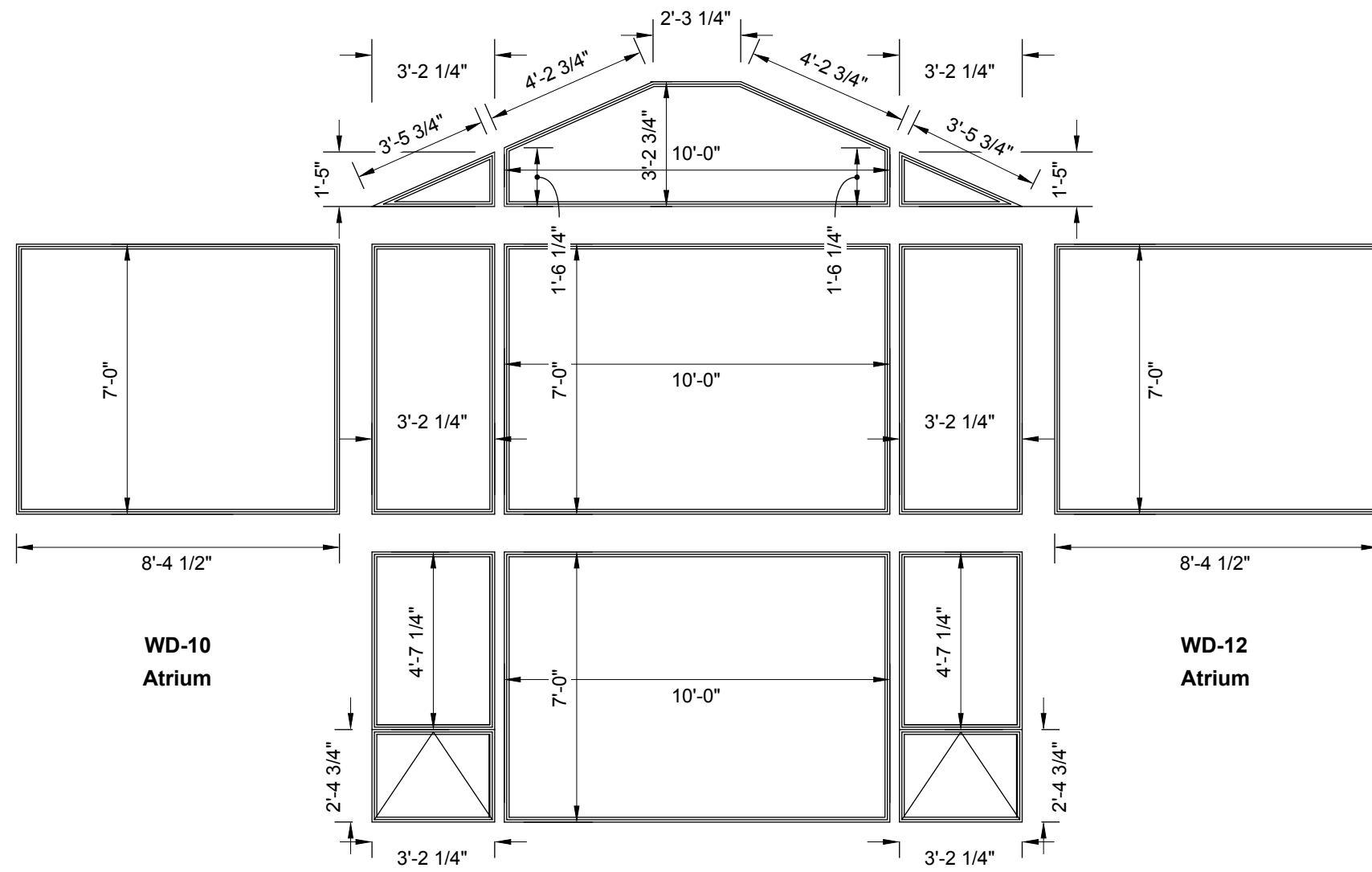
WD-1
Entry



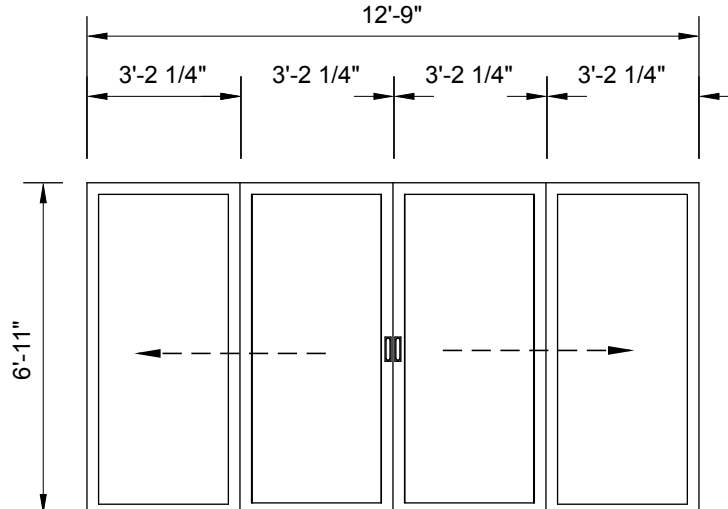
WD-3
Gable South



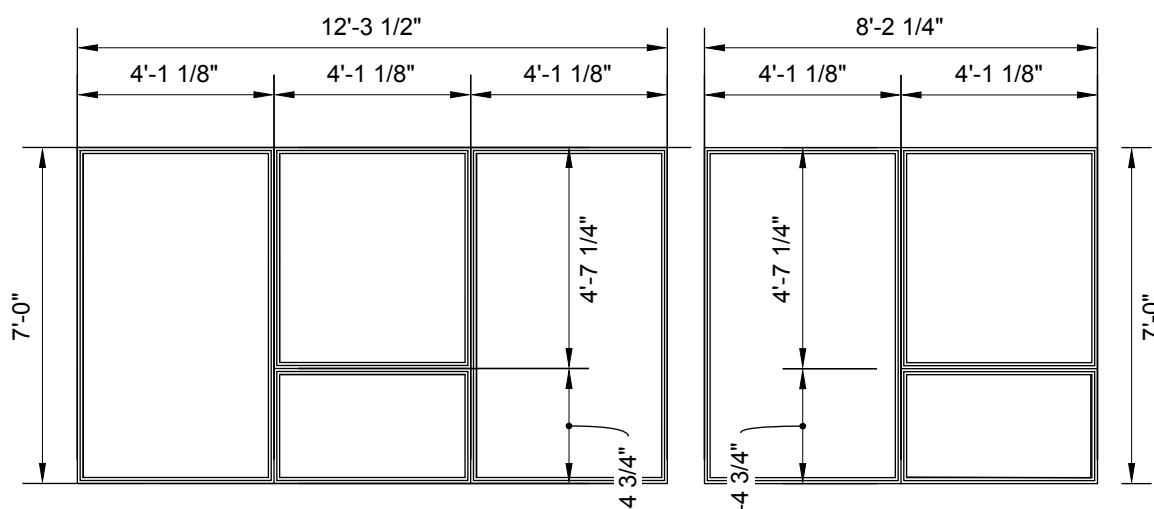
WD-8 (12)
Skylights above Atrium



WD-13 South-Facing
WD-14 East-Facing

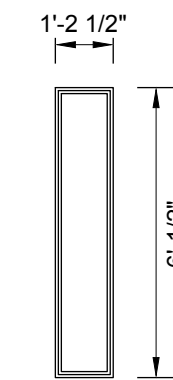


WD-15
Master Bedroom Sliding

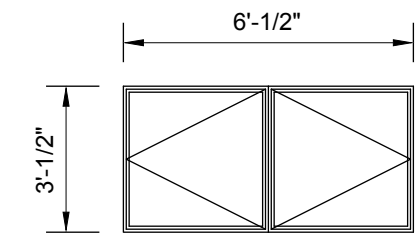


WD-17 Living Room

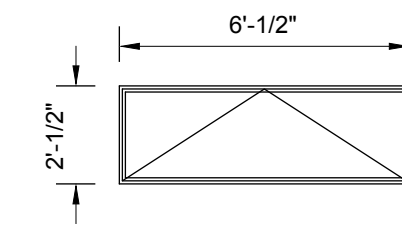
WD-18



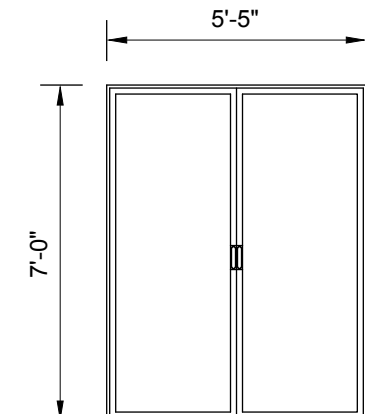
WD-19 (12)
Hallway (3), Powder Room, Atrium (6), 4th Bedroom (2)



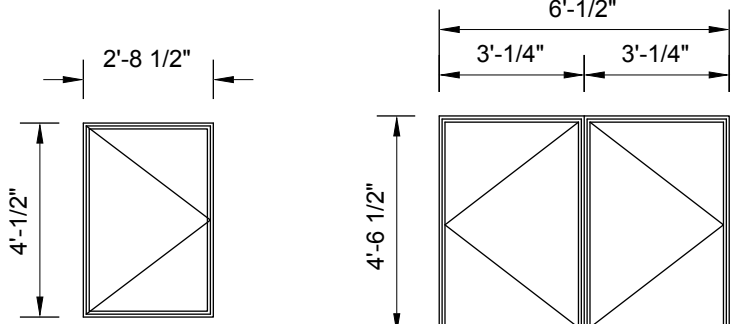
WD-20
Kitchen



WD-22 (3)
Master Bath (requires tempered glass), Garage, 4th Bedroom

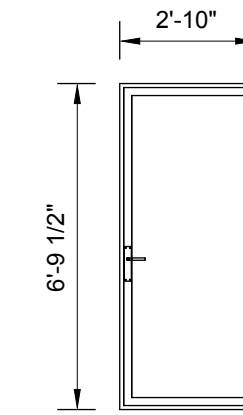


WD-29
Exterior Door 5'-4" Entry

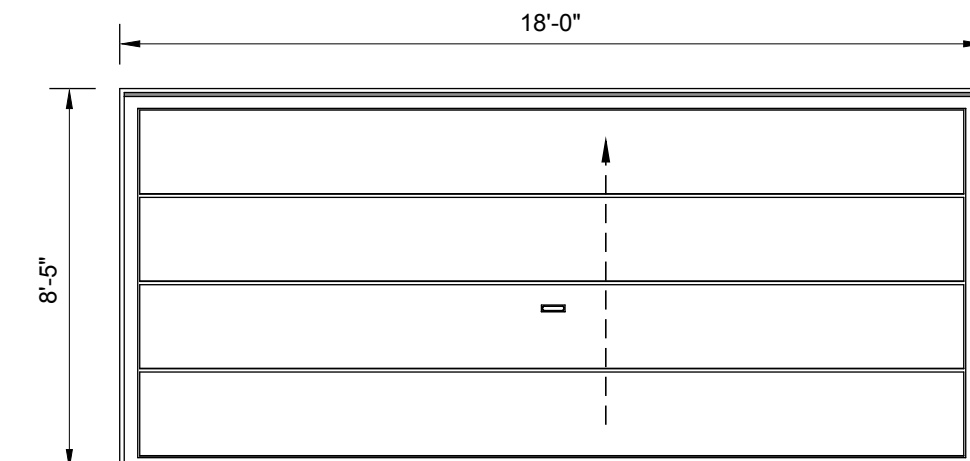


WD-24 (2)
2nd Bedroom, 3rd Bedroom

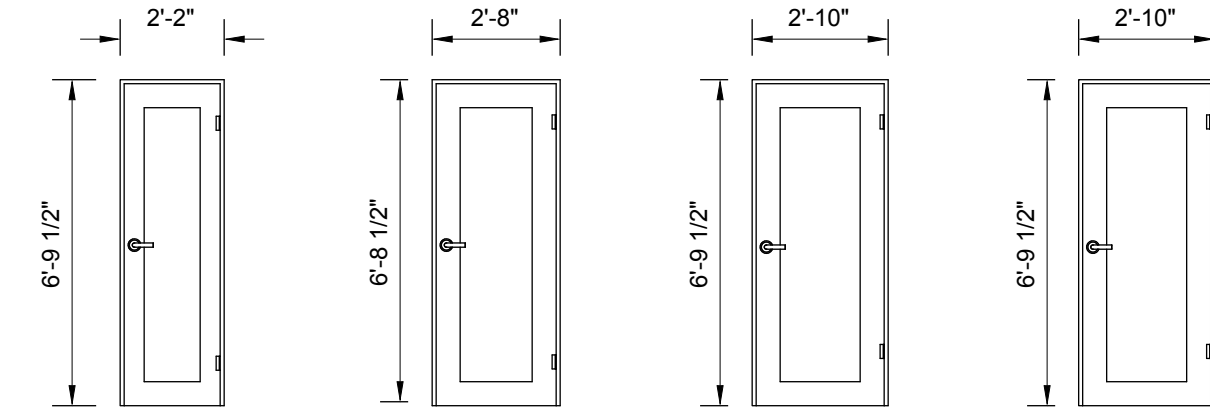
WD-25 (3)
1st Bedroom, Study, 4th Bedroom



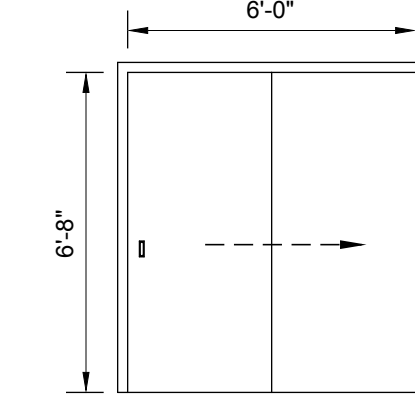
WD-28 (3)
Exterior Door 2'-8" Garage, Deck, Family Room



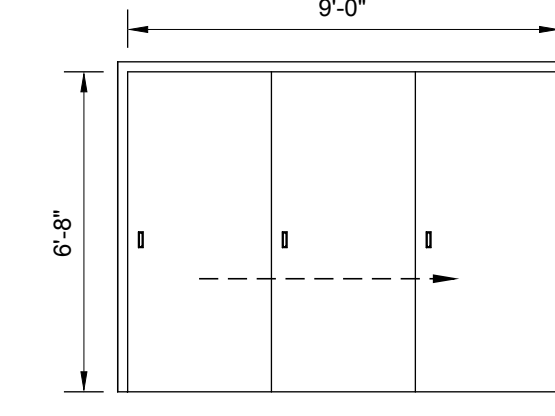
WD-27
Garage Door (use existing)



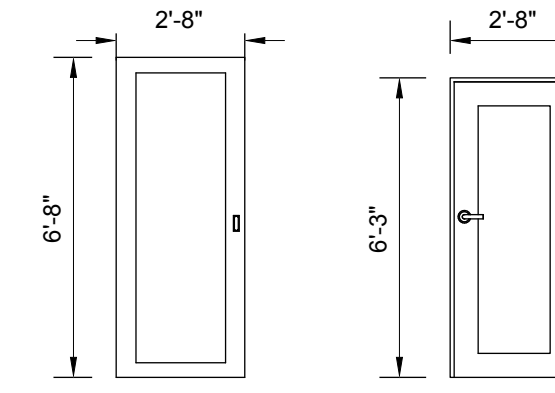
WD-31 Interior Door 2'-0" Master Toilet
WD-32 (9) Interior Door 2'-6" Master Bedroom, Master Closet (2), Bedrooms 1-4, Den, Lower Bathroom
WD-33 Interior Door 2'-8" Hallway
WD-30 Exterior Door 2'-8" Hallway to Garage



WD-35 (4)
Closet Door 1st, 2nd, 3rd Bedrooms, Den



WD-38
Closet Door 4th Bedroom



WD-40 (2)
Pocket Door 3'-0" Pantry, Powder Room

WD-41
Interior Door 2'-6" Utility Room



Design By:
Riedel-Fall Designs
Garage, Deck,
Family Room
200 Union St. S.E.
Minneapolis, MN 55455
Tel: 612-275-9878

Design for:
Dr. Marc Riedel & Ms. Emery Fall
5995 Ridge Rd.
Shorewood, MN 55331
Tel: 612-275-9878

Date	Revision	By
01/17/17	Final Drawings	MDR, EKF
11/29/17	Atrium, Entry	MDR, EKF
5/7/18	Skylights, Foundations	MDR, EKF
7/3/18	Brick, Entry	MDR, EKF
1/14/19	Energy Windows	MDR, EKF
	Permit	MDR, EKF

DATE SUBMITTED
01.14.19
DRAWN BY
MDR, EKF

A601 Window and Door Schedule