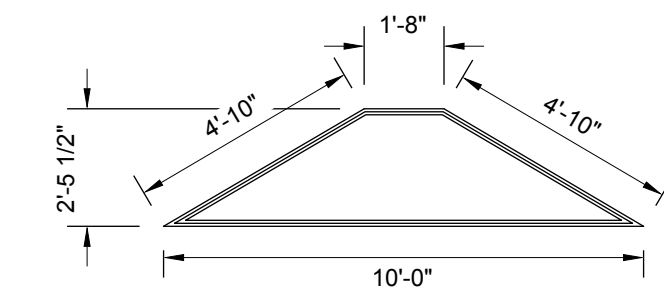
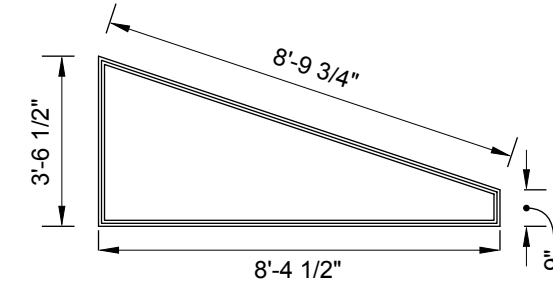


**Legend**

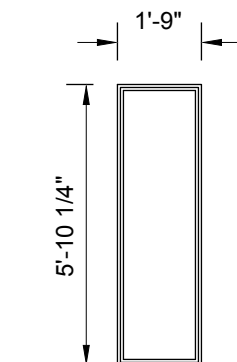
WD-X (Y) X: Window or Door labels. On plans, these are attached to window/door width. Note that width indicates the rough opening.  
Y: Number of units



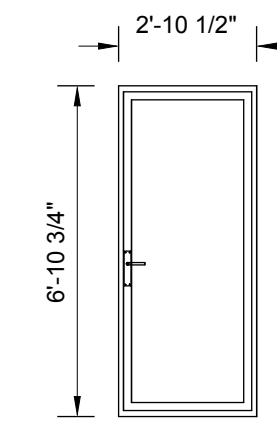
**WD-1**  
Entry



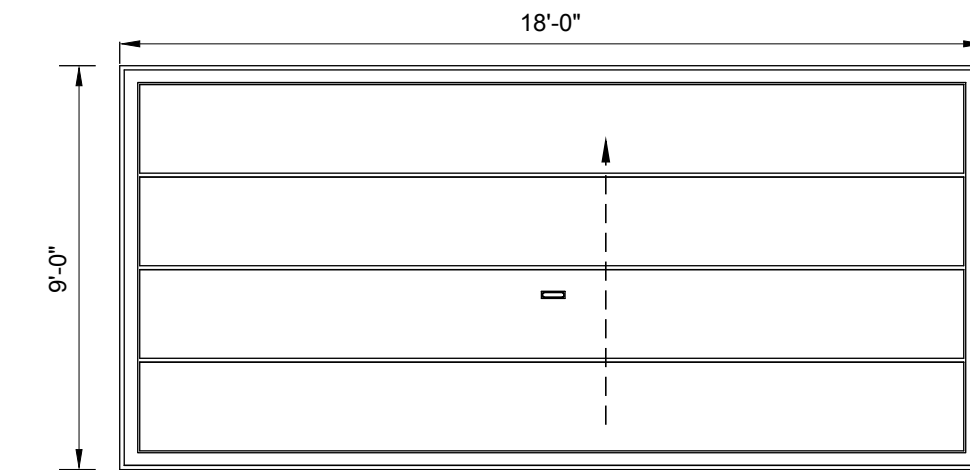
**WD-3**  
Gable South



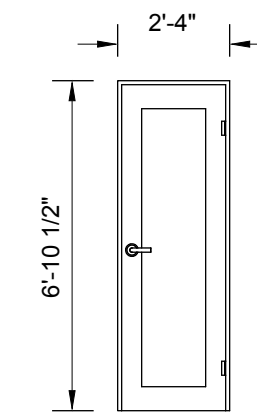
**WD-8 (12)**  
Skylights above Atrium



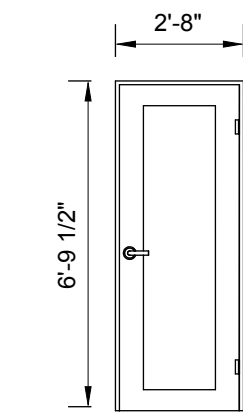
**WD-28 (2)**  
Exterior Door 2'-8"  
Garage to Exterior (use existing Deck Door),  
Hallway to Garage



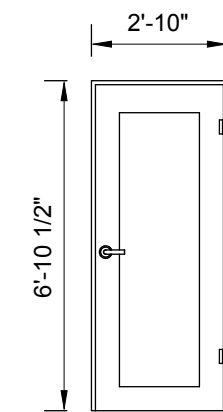
**WD-27**  
Garage Door  
(use existing)



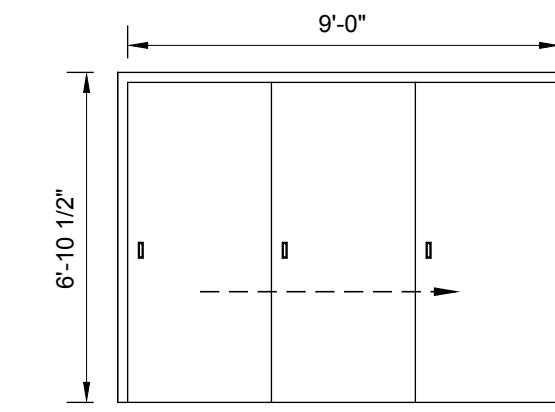
**WD-31**  
Interior Door 2'-2"  
Master Toilet



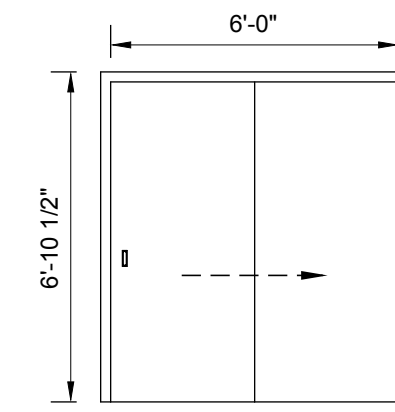
**WD-32 (11)**  
Interior Door 2'-6"  
Master Bedroom, Master  
Closet, Bedrooms 1-4,  
Bedroom 3 Closet, Furnace  
Rooms (2), Den, Lower  
Bathroom



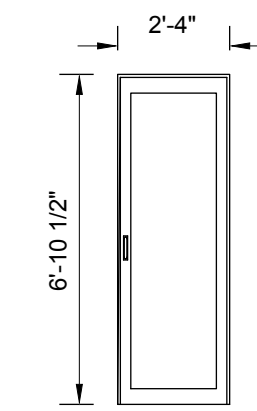
**WD-33**  
Interior Door 2'-8"  
Hallway



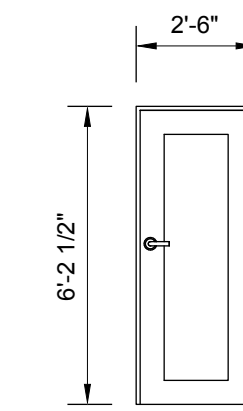
**WD-38**  
Closet Door  
4th Bedroom



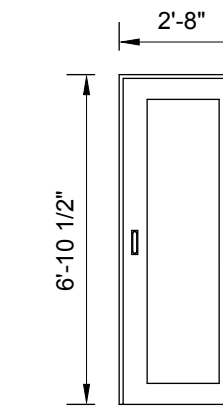
**WD-35 (3)**  
Closet Door  
1st, 2nd Bedrooms, Den



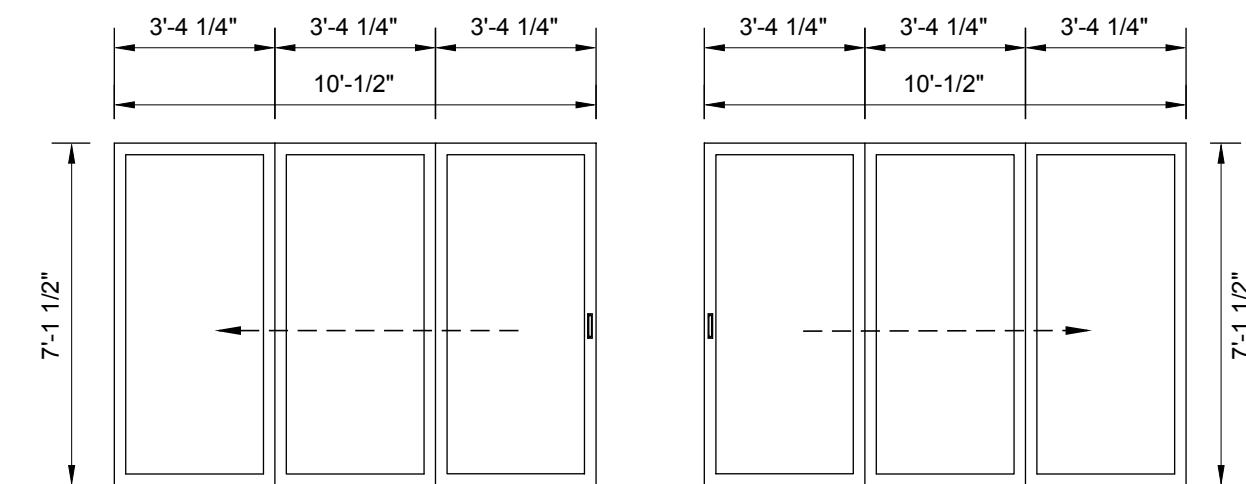
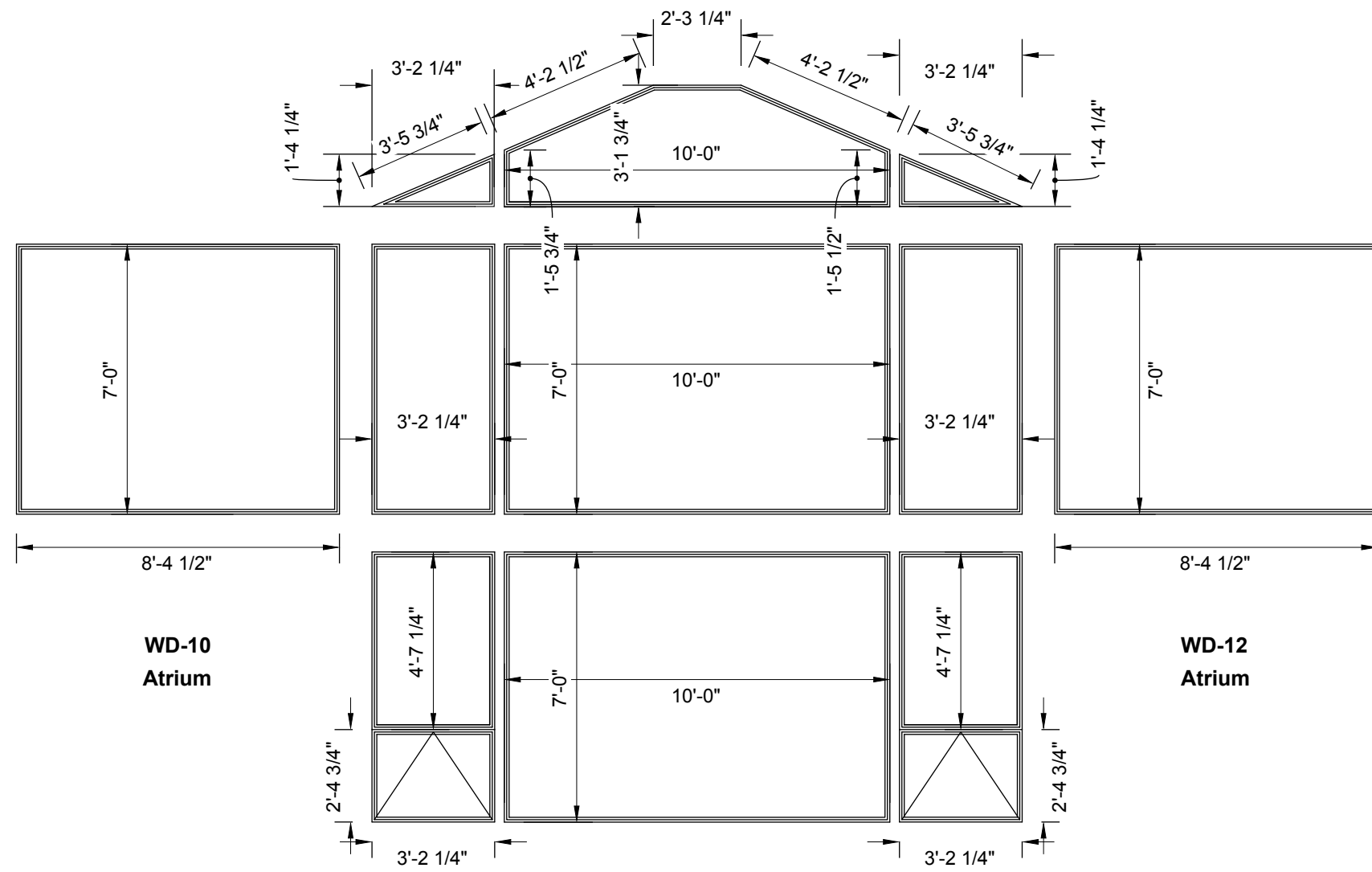
**WD-40 (2)**  
Pocket Door 2'-2"  
Pantry,  
Powder Room



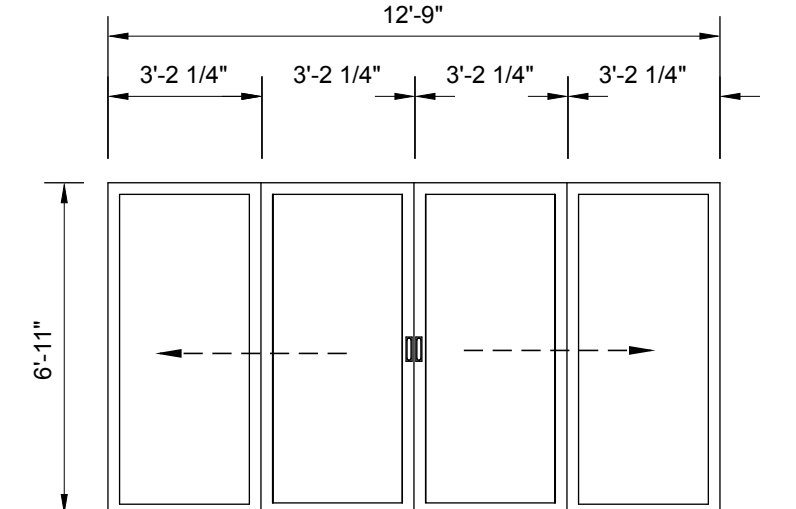
**WD-41**  
Interior Door 2'-4"  
Utility Room (use  
existing hallway door;  
cut height)



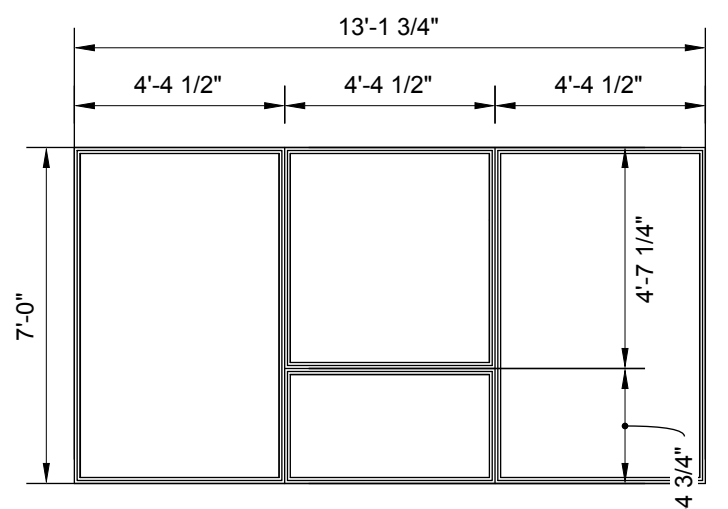
**WD-34 (2)**  
Pocket Door 2'-6"  
Master Closet to Laundry,  
Lower Bathroom



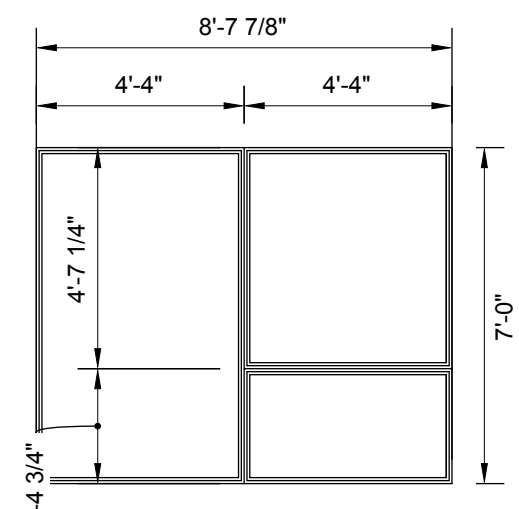
**WD-13** South-Facing  
**WD-14** East-Facing



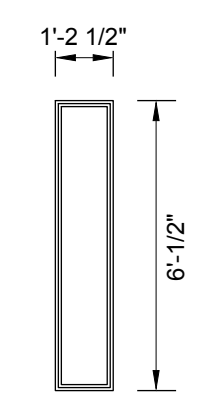
**WD-15**  
Master Bedroom  
Sliding



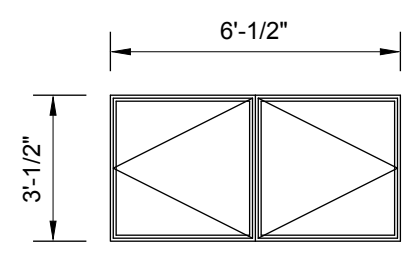
**WD-17** Living Room



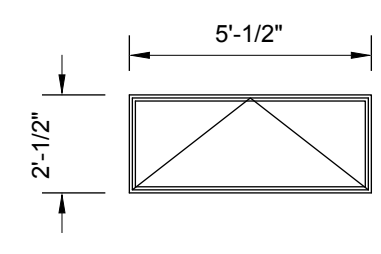
**WD-18**



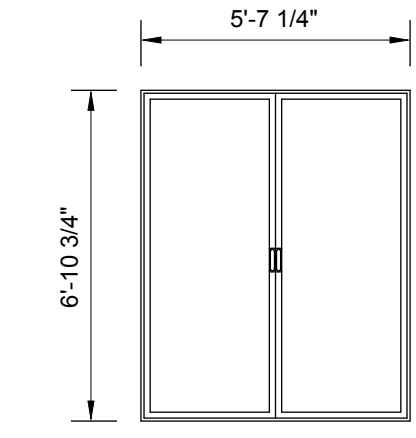
**WD-19 (12)**  
Hallway (3),  
Powder Room,  
Atrium (6),  
4th Bedroom (2)



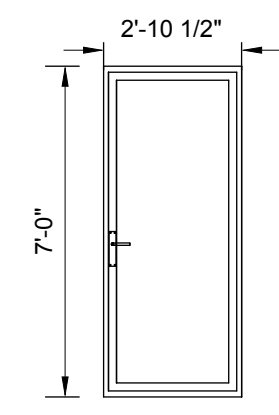
**WD-20**  
Kitchen



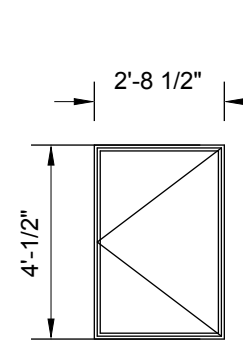
**WD-22 (3)**  
Master Bath  
(requires tempered glass),  
Garage,  
4th Bedroom



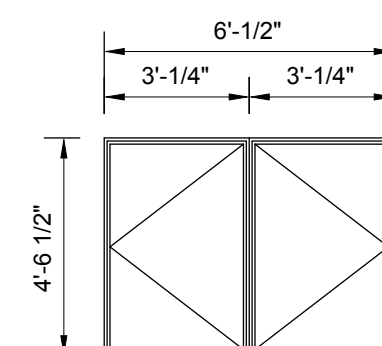
**WD-29**  
Exterior Door 5'-5"  
Entry



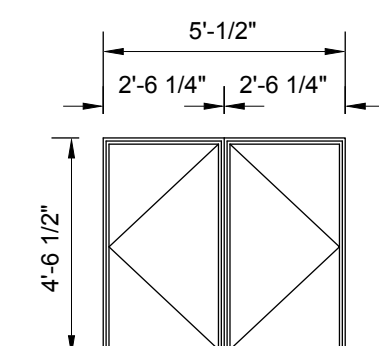
**WD-28**  
Exterior Door 2'-8"  
Deck, Family Room



**WD-24 (2)**  
2nd Bedroom,  
3rd Bedroom

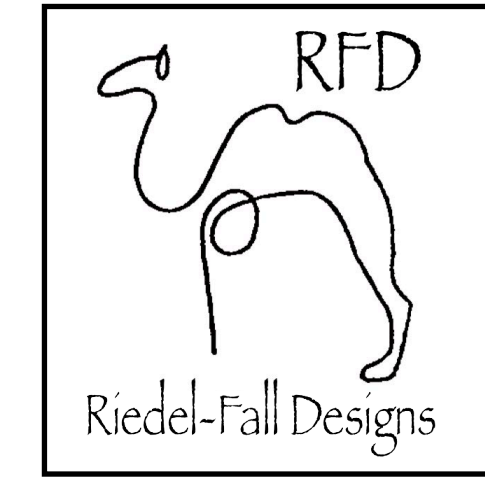


**WD-25 (2)**  
1st Bedroom,  
Study



**WD-26**  
4th Bedroom

**A601 Window and Door  
Schedule**



**Design for:**  
**Dr. Marc Riedel & Mrs. Emery Fall**  
5995 Ridge Rd.  
Shorewood, MN 55331  
Tel: 612-275-9878

**Design By:**  
**Riedel-Fall Designs**  
200 Union St. S.E.  
Minneapolis, MN 55455  
Tel: 612-275-9878

Date	Revision	By
01/17/17	Initial Drawings	MDR, EKF
11/29/17	Atrium, Entry	MDR, EKF
5/7/18	Skylights, Foundations	MDR, EKF
7/3/18	Brick Entry	MDR, EKF
1/14/19	Permit Set	MDR, EKF
3/21/19	Initial Construction Set	MDR, EKF
4/3/19	Revised Construction Set	MDR, EKF
4/28/19	Final Construction Set	MDR, EKF

**DATE SUBMITTED**  
04.28.19

**DRAWN BY**  
MDR, EKF